

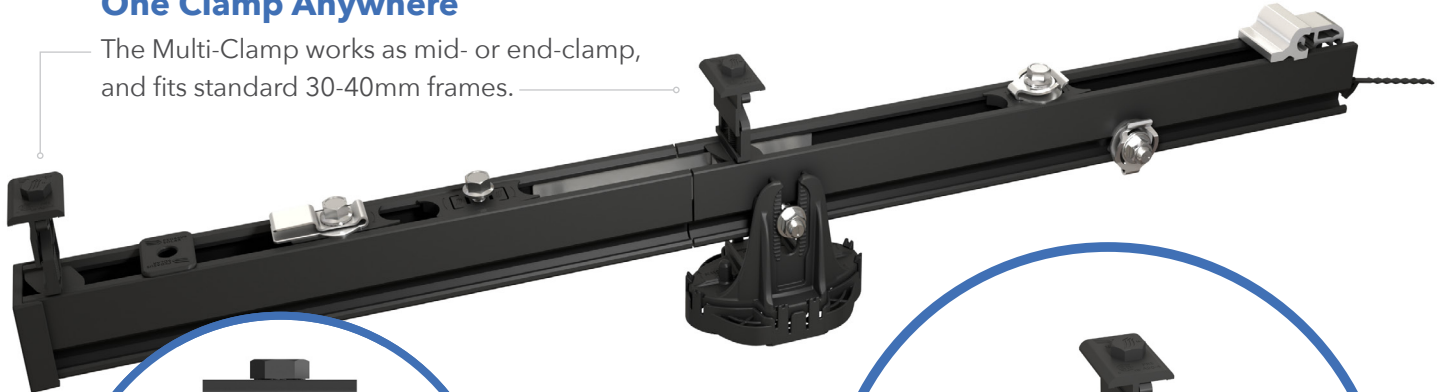
## Instant Bonding

The N-S Bonding Jumper bonds row to row with no tools.



## One Clamp Anywhere

The Multi-Clamp works as mid- or end-clamp, and fits standard 30-40mm frames.



## Lifetime Wire Management

Open rail channel holds and protects wires. Clamps won't pinch wires after tightening.



## Bonding Structural Splice

Connect rails instantly, without tools, interference or limitations.

# Next-Level Solar Mounting

A complete system for hassle-free rooftop installation, from watertight mounts to lifetime wire management.



### Simplicity

1/2" socket for everything.  
One clamp for mid or end.  
No tool splicing and bonding.  
Easy wire management.



### Code Compliant

UL 2703 listed  
LTR-AE-001-2012 listed  
Class A fire rating for any slope  
ASCE 7-16 PE Certified  
FL Cert of Approval FL41396



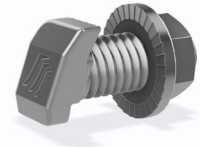
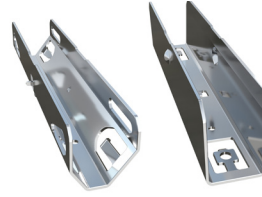
### Premium Aesthetics

The narrowest panel gap available. Optional Hidden End Clamps and End Caps provide a flush look on the edge of the array.



### Watertight for Life

Secured on industry-leading Pegasus Mounts, for composite shingle and tile roofs. Backed by a 25-year warranty.



Pegasus Rail	Pegasus Max Rail	Splice and Max Splice	Dovetail T-bolt
--------------	------------------	-----------------------	-----------------

Available in 14' and 7' lengths for easy layout and shipping.  
Open-channel design holds MC4 connectors, PV wire and trunk cables.  
Black and Mill finish

Maximum-strength design.  
Meets specifications for high snow-load and hurricane zones.  
Black and Mill finish

Installs by hand.  
Works over mounts.  
Structurally connects and bonds rails automatically; UL2703 listed as reusable.

Dovetail shape for extra strength.  
Uses 1/2" socket.



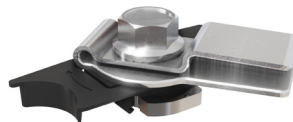
Multi-Clamp	Hidden End Clamp	Ground Lug	N-S Bonding Jumper
-------------	------------------	------------	--------------------

Fits 30-40mm PV frames, as mid- or end-clamp.  
Twist-locks into position; doesn't pinch wires in rail.  
Bonds modules to rail; UL2703 listed as reusable

Offers premium edge appearance.  
Preinstalled pull-tab grips rail edge, allowing easy, one-hand installation.  
Tucks away for reuse.

Holds 6 or 8 AWG wire.  
Mounts on top or side of rail.  
Assembled on MLPE Mount.  
UL2703 listed as reusable.

Installs by hand, eliminates row-to-row copper wire.  
UL2703 listed as reusable only with Pegasus Rail.



MLPE Mount	Cable Grip	Wire Clip	End Cap and Max End Cap
------------	------------	-----------	-------------------------

Secures and bonds most micro-inverters and optimizers to rail.  
Connectors and wires easily route underneath after installation.  
UL2703 listed as reusable.

Secures four PV wires or two trunk cables.  
Stainless-steel backing provides durable grip.  
Eliminates sagging wires.

Hand operable.  
Holds wires in channel.  
Won't slip.

Fits flush to PV module and hides row or angled cuts.  
Hidden drain quickly clears water from rail.

**Certifications:**

- UL 2703, Edition 1
- LTR-AE-001-2012
- ASCE 7-16 PE certified
- Class A fire rating for any slope roof
- FL Cert of Approval FL41396



Quickly calculate the most efficient layout, spans and materials needed to suit your job. Visit the Pegasus Customer Portal. [pegasussolar.com/portal](http://pegasussolar.com/portal)

Patents pending. All rights reserved. ©2023 Pegasus Solar Inc.

LOAD		SPAN				
SNOW (psf)	WIND (MPH)	32"	48"	72"	96"	120"
0	100	PEGASUS RAIL				
	130					
10	140	PEGASUS MAX RAIL				
30	190					
50						
100						
120						

For reference only, Spans above are calculated using 7-16 for a Gable Roof, Exposure Category B, 0-20deg roof angle, 30ft mean roof height with non-exposed modules. For PE certified span tables, visit [www.pegasussolar.com/spans](http://www.pegasussolar.com/spans).