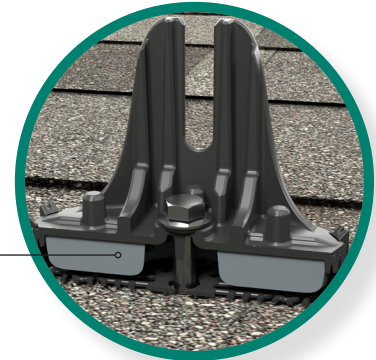
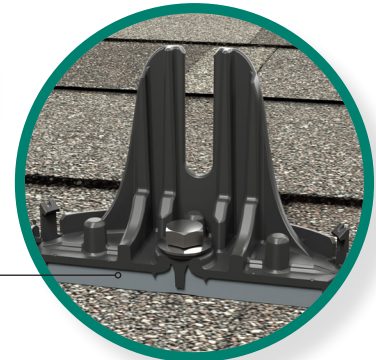


## Never Deal With Caulking Again!

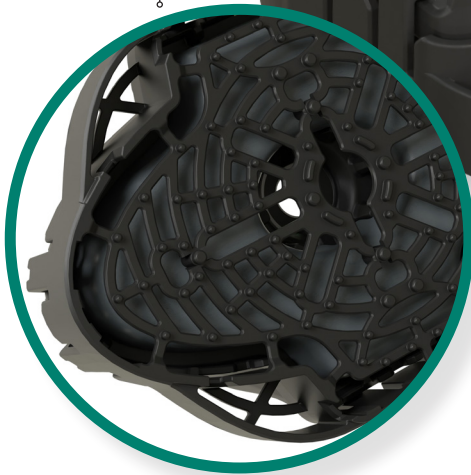
Factory-installed, non-hardening sealant



**Before InstaFlash Installed:**  
Sealant is contained above roof surface by a protective cage.



**After InstaFlash Installed:**  
Sealant is compressed to fill all holes and voids.



### Protective Cage

Prevents sealant from getting on hands or roof.  
Collapses upon lag installation.

## Effortless Lifetime Roof Protection

The non-hardening sealant completely fills any missed pilot holes, shingle rips, voids, or other potential water ingress points under the entire footprint of the 4.6" wide base.



### 25-Year Warranty

Manufactured with advanced materials and coatings to outlast the roof itself



### Code Compliant

Fully IBC/CBC Code Compliant  
Exceeds ASCE 7-16 Standards  
FL Cert of Approval FL41396  
UL2703 Certified



### Self-Healing

The proprietary non-hardening sealant will flex and reseal over years of thermal expansion and contraction



### Larger Spans

The extra-large L-foot and proprietary lag screw result in larger spans between mounts

**1**

Drill pilot hole in the center of the rafter using a 7/32" bit.



**2**

Place the InstaFlash over the pilot hole.  
**Note:** the direction of the InstaFlash Down arrows should point down the roof.



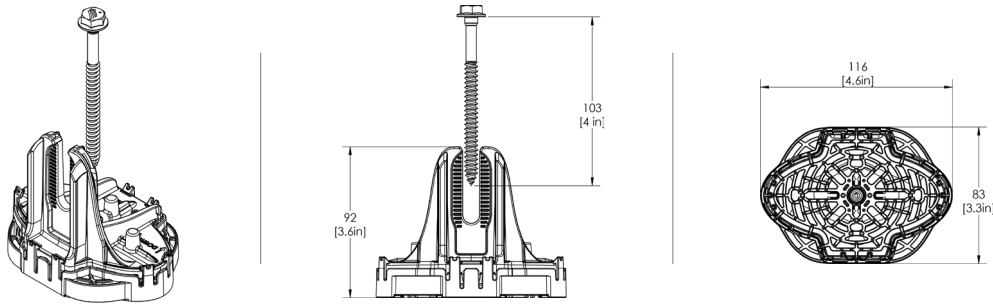
**3**

Insert the lag screw through the center hole into the pilot hole.



**4**

Drive the lag until the InstaFlash is fully seated to the roof.



SPECIFICATIONS	INSTAFLASH KITS				
	PIF-RB0	PIF-RBDT	PIF-RBSH	PIF-RM0	PIF-RMDT
Finish	Black			Mill	
Kit Contents	Black InstaFlash, 5/16" x 4.0" SS Lag	Black InstaFlash, 5/16" x 4.0" SS Lag, Dovetail T-bolt w/ Nut	Black InstaFlash, 5/16" x 4.0" SS Lag, M10 Hex Bolt w/ Nut	Mill InstaFlash, 5/16" x 4.0" SS Lag	Mill InstaFlash, 5/16" x 4.0" SS Lag, Dovetail T-bolt w/ Nut
Attachment Type	Rafter Attached				
Roof Type	Sloped Roof: Composition Shingle, Rolled Asphalt   Flat roof: Modified Bitumen Roof, Built-Up Roof				
Sealant Application	Factory Installed				
Installation Temperature	0°F to 170° F				
Cure Time	Instantly Waterproof; Non-hardening				
Service Temperature	-40°F to 195° F				
Certifications	IBC, ASCE/SEI 7-16, FL Cert of Approval FL41396, TAS 100(A), UL2703				
Install Application	Most Railed Systems, Pegasus Tilt Leg Kit				
Kit Quantity	24				
Boxes per Pallet	36				



SCAN FOR  
INSTALLATION  
VIDEO



SCAN FOR  
FREE TRIAL