

Support Block with conduit strap



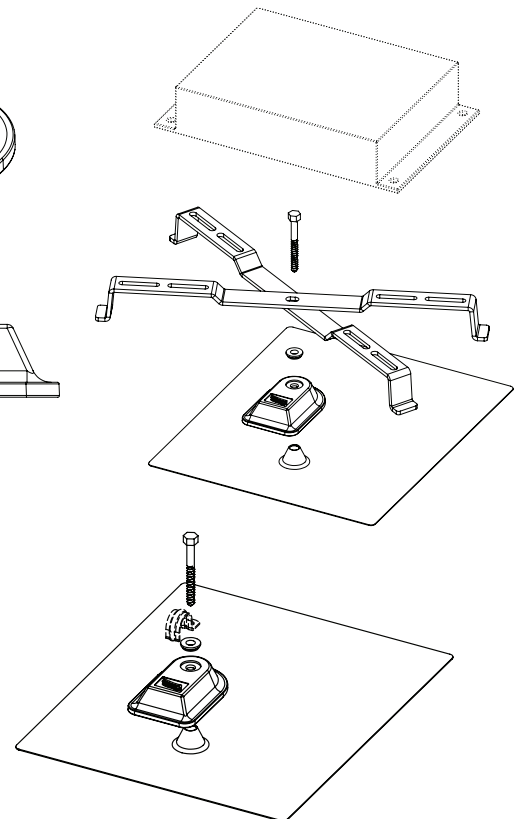
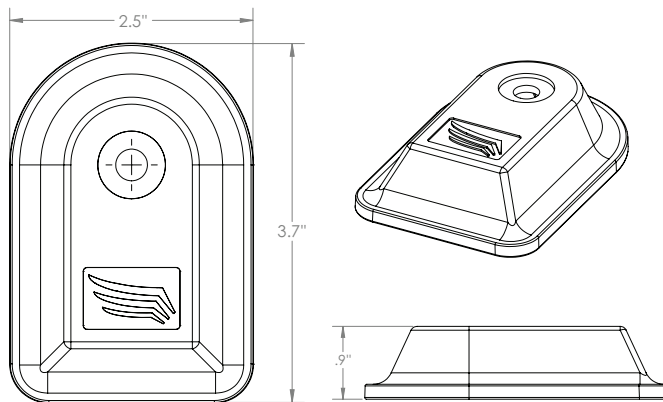
Support Block with junction box

Pegasus Solar's LightSpeed Support Blocks make it simple to install electrical and mechanical components quickly and neatly. They are ideal for mounting conduit, junction boxes and are a low cost alternative for securing L-feet when using traditional railed systems.

- One piece cast aluminum
- Elevated water seal provides superior waterproofing
- Universal support for Conduit, Junction Boxes and L-Feet
- Compatible with all major rail manufacturers

Use with LightSpeed Mount Composite Flashing to install conduit straps, junction boxes and rail system L-feet.

Support blocks are supplied in kits with flashings, all washers and lag screws required for installation.



Specifications	Support Block
Application	Conduit Straps and Junction Boxes
Elevated Water Seal	Yes
Seal Height	0.7"
Flashing	LightSpeed Comp Flashing
Sealing Washers	EPDM Washer
Installation Hardware	1/4"x2" SS Lag Screw, 1/4" EPDM Washer
Installation Tool	7/16" Socket
Material	Aluminum
Finish	Mill
Weight	0.22lbs/100gr

Patents Pending. All rights reserved.
© 2016 Pegasus Solar Inc.